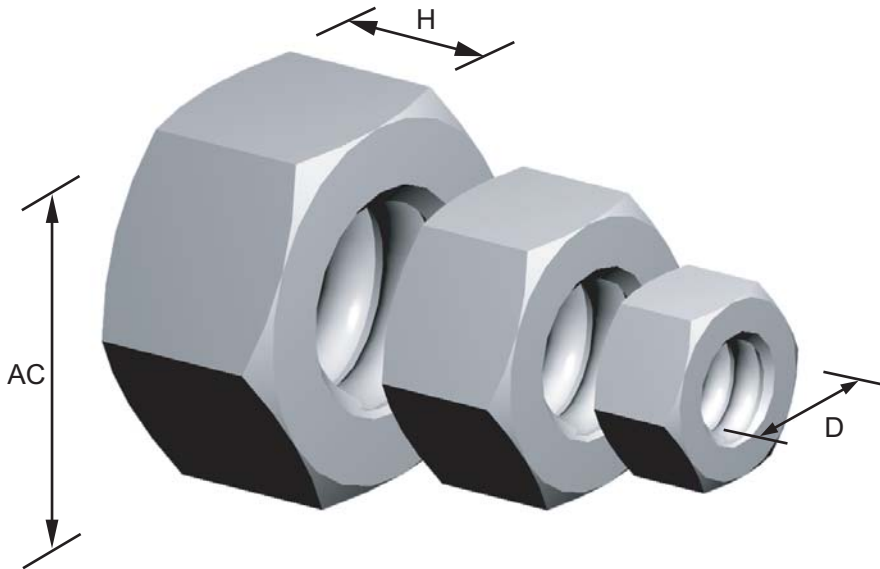


Coil Nuts



To Order
(Call, Fax or e-mail this form)

1. Part No. : _____
2. Size : _____
3. Quantity : _____

Phone : 1-866-457-5710
 Fax : 1-847-541-9338
 e-mail : sales@ocm-inc.com

OCM Part No.	D Size	H Approx. Height	AC Across Flats	Carton Qty	Weight per 100pcs lbs	Safe Working Load lbs
50ACCN0P	1/2"	1/2"	7/8"	1,000	6.2	6,000
62SFCN	5/8" Finished	9/16"	15/16"	500	11.4	8,000
75SFCN	3/4" Finished	11/16"	1-1/8"	500	11.4	9,000
75SCCN0P	3/4" Heavy	3/4"	1-1/4"	250	17.8	9,000
87SCCN0P	7/8"	7/8"	1-7/16"	250	27.6	16,000
100SCCN0P	1"	1"	1-5/8"	150	15.0	18,000
125SCCN0P	1-1/4"	1-1/4"	2"	70	75.2	27,000
150CCCN	1-1/2"	1-1/2"	2-3/8"	40	122.6	40,000

SWL provides a safety factor of approximately 2 to 1.