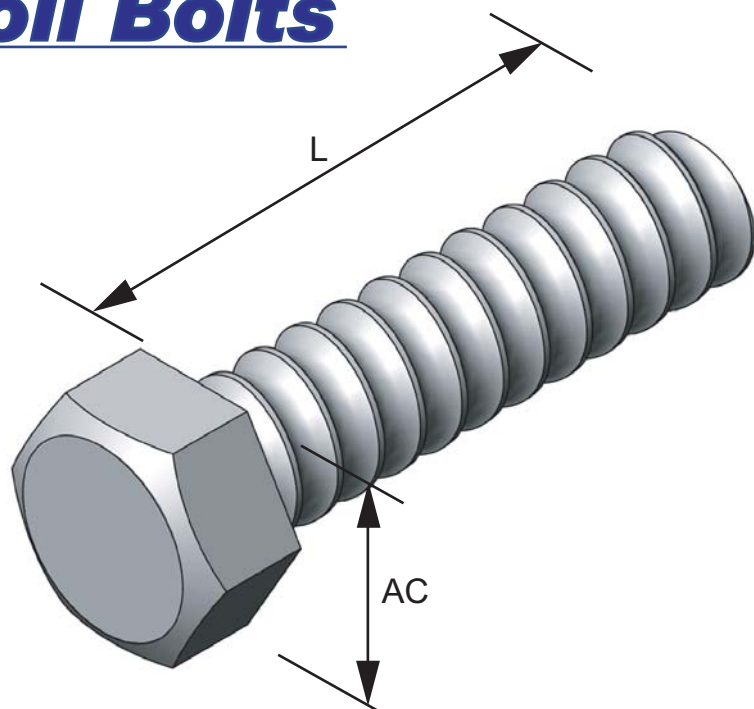


Coil Bolts



To Order
(Call, Fax or e-mail this form)

1. Part No. : _____
2. Size : _____
3. Length : _____
4. Quantity : _____

Phone : 1-866-457-5710
 Fax : 1-847-541-9338
 e-mail : sales@ocm-inc.com

OCM Part No.	D Size	L Length	AC Across Flats	Carton Qty	Weight per 100pcs lbs	Safe Working Load lbs
50A150CBH0P	1/2"	1-1/2"	3/4"	500	10.6	4,125
50A200CBH0P		2"		500	12.8	
50A250CBH0P		2-1/2"		400	15.1	
50A300CBH0P		3"		300	17.1	
50A350CBH0P		3-1/2"		250	19.4	
50A400CBH0P		4"		250	21.6	
50A500CBH0P		5"		200	26.3	
50A600CBH0P		6"		150	30.7	
75S200CBH0P	3/4"	2"	1-1/8"	150	32.8	9,000
75S250CBH0P		2-1/2"		150	39.4	
75S300CBH0P		3"		100	42.7	
75S350CBH0P		3-1/2"		100	47.8	
75S400CBH0P		4"		100	52.5	
75S500CBH0P		5"		75	62.5	
75S600CBH0P		6"		75	72.4	

SWL provides a safety factor of approximately 2 to 1.