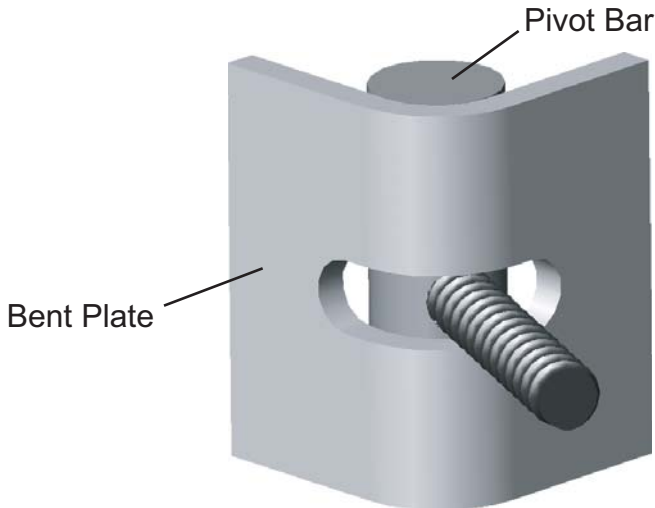


Weld Angle Bracket



To Order
(Call, Fax or e-mail this form)

1. Part No. : _____

2. Coil Rod Size : _____

5. Quantity : _____

Phone : 1-866-457-5710

Fax : 1-847-541-9338

e-mail : sales@ocm-inc.com

	OCM Part No.	Coil Rod Size	Weight per each lbs	Safe Working Load lbs
Pivot Bar	50APBP	1/2"	2.15	9,000
	75SPBP	3/4"	2.10	18,000
	100SPBP	1"	4.85	31,500
Bent Plate	AWB24-1	1/2"	1.90	9,000
	AWB24-1	3/4"	1.90	18,000
	AWB24-2	1"	5.85	31,500