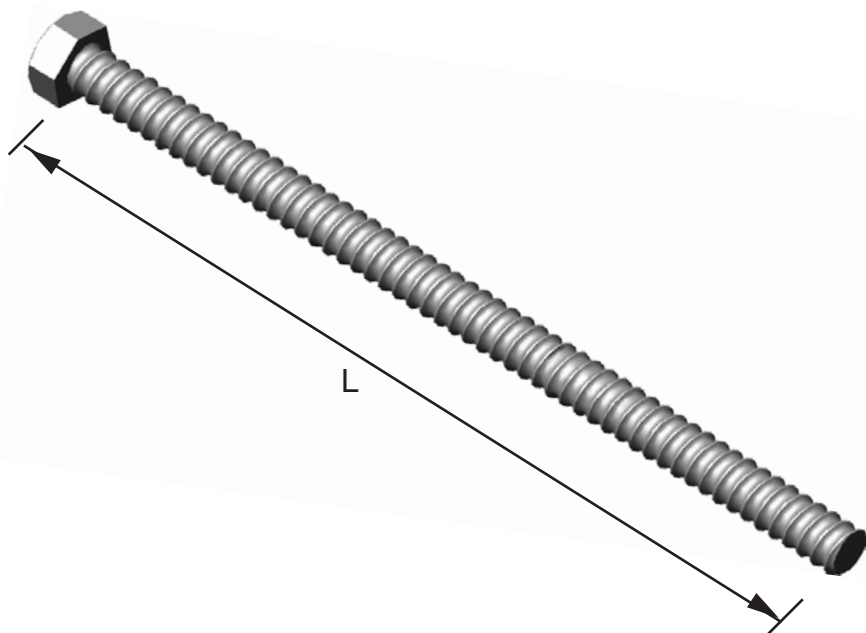


Long Coil Bolts



To Order
(Call, Fax or e-mail this form)

1. Part No. : _____
2. Size : _____
3. Length : _____
4. Quantity : _____

Phone : 1-866-457-5710
 Fax : 1-847-541-9338
 e-mail : sales@ocm-inc.com

OCM Part No.	D Size	L Length	AC Across Flats	Safe Working Load lbs
50A1000CBH0P		10"		
50A1200CBH0P		12"		
50A1600CBH0P	1/2"	16"	3/4"	9,000
50A1800CBH0P		18"		
50A2000CBH0P		20"		
50A2400CBH0P		24"		

SWL provides a safety factor of approximately 2 to 1.